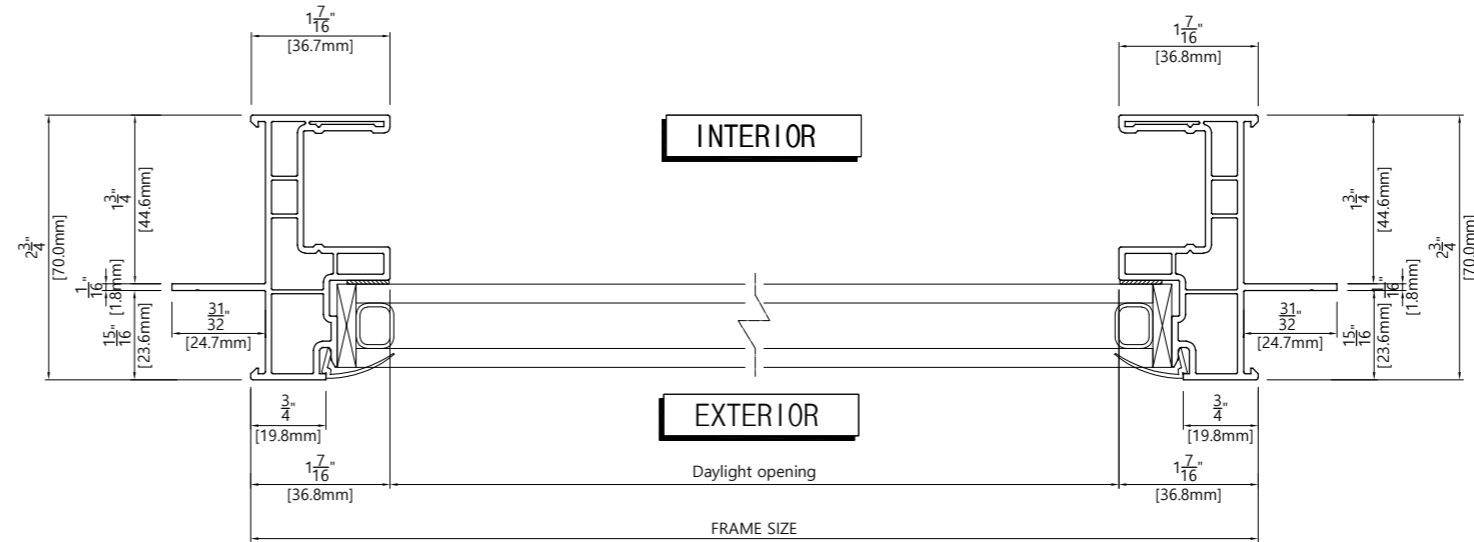
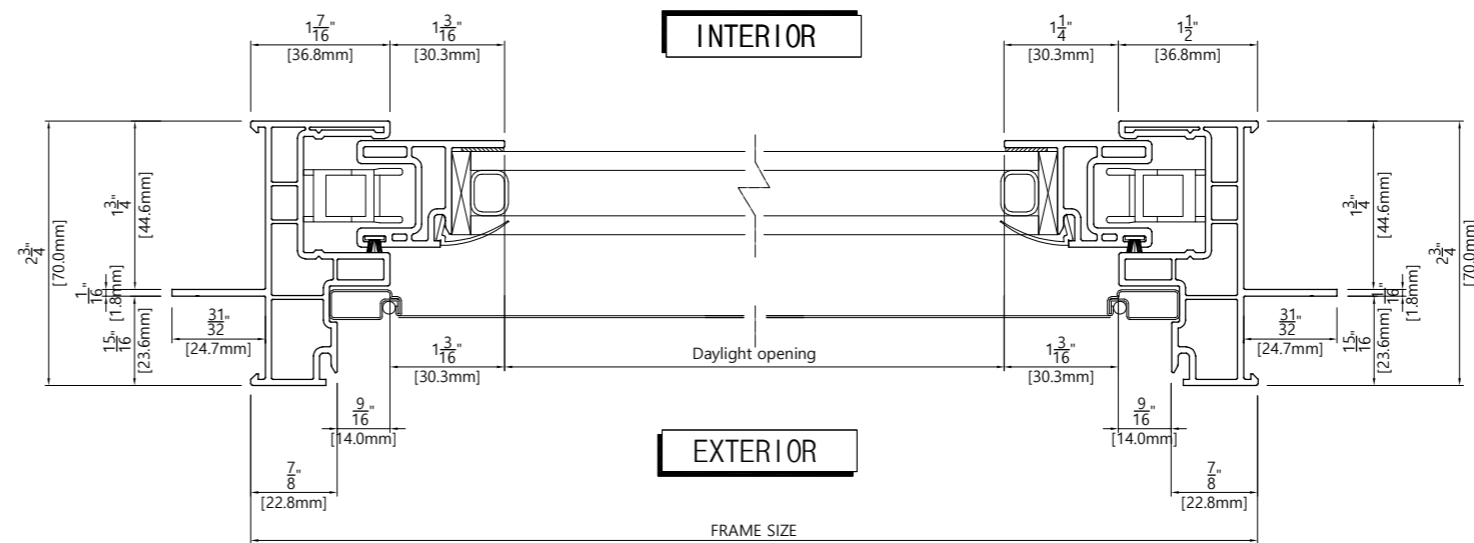


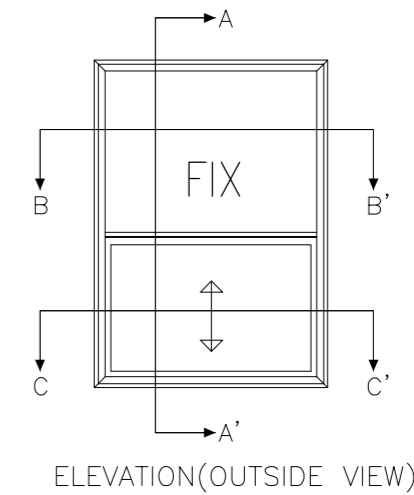
1 A-A' SECTION
Head jamb and SILL



2 B-B' SECTION
JAMB



3 C-C' SECTION
JAMB



ELEVATION (OUTSIDE VIEW)

SYSTEM

NOTE.

REV.	DESCRIPTION	DATE
△		
△		
△		
△		
△		
△		

CODE NO.
U PVC Single Hung

PROJECT TITLE

DRAWING NAME

DRAWING BY

CHECKED BY DATE

APPROVED BY DRAWING NO

FILE NAME

Miracle Distribution Inc.